

Adjustable door fittings

55 and 72 mm



The M&C adjustable door fittings are the ideal choice for those looking for secure, durable and stylish fittings. Thanks to its innovative adjustable screw-in lugs, it can replace most common hardware without having to drill additional holes in the door.



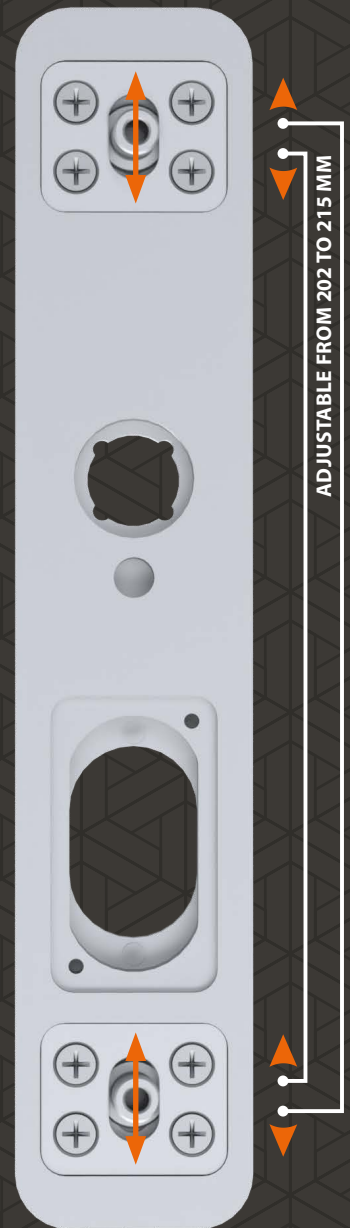
Adjustable door fitting



Adjustable door fitting with core pulling protection



Adjustable door fitting with dirt/insect protection



The advantages of M&C adjustable door fittings

Adjustable

The screw-in lugs are adjustable to fit into the existing screw holes. This allows the adjustable door fittings to replace most common fittings without having to drill additional holes in the door. The hardware is suitable for door thicknesses of 38-58 mm and is supplied with two sets of screws and pins.

Versions

The hardware is available in two solid metal variants: handle/handle and knob/handle, in colors F9 (nickel) and black. In addition, there are options with and without core pull protection and a version with insect/dirt protection. All variants are available in PC sizes of 55 mm and 72 mm.

Quality

In developing our hardware, we have absolutely not skimped on quality, as evidenced by the SKG *** test. The M&C adjustable hardware thus meets the highest security requirements.

Stronger than standard hardware

Adjustable M&C hardware has an additional advantage: because the exterior hardware is attached to the exterior shield with 9 screws, it is significantly stronger than traditional hardware that is attached with only 3 screws.

Innovative

The optional protection plate prevents dirt and insects from entering the cylinder and thus blocking its operation. In coastal areas, the protection plate provides additional protection against sand and salt, preventing wear and corrosion. The protection plate has a recess for the cylinder on the inside and is attached with a spring, providing an exceptionally tight seal on the cylinder and additional protection.



M&C

Masters of Security

www.m-c.eu

Family Company.

Adjustable door fittings

55 and 72 mm

Availability

- Versions
- Without core pulling protection
 - With core pulling protection
 - With insect/dirt protection

- Colors
- Nickel
 - Black

Sizes

PC-sizes 55 and 72 mm

Adjustable from/to 200 to 215 mm

Suitable for all common doors with a thickness of 38 to 58 mm.

M&C adjustable fittings are suitable for

Cylinders Euro-profile cylinders

Certification - testing

SKG3**, EN1906

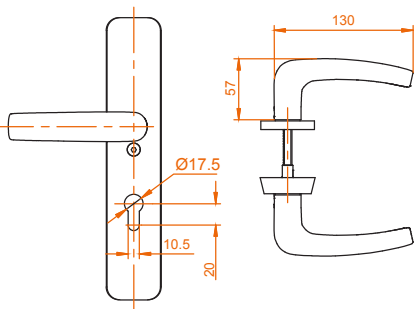
- 6 - 0 1 4 1 U

Corrosion resistance

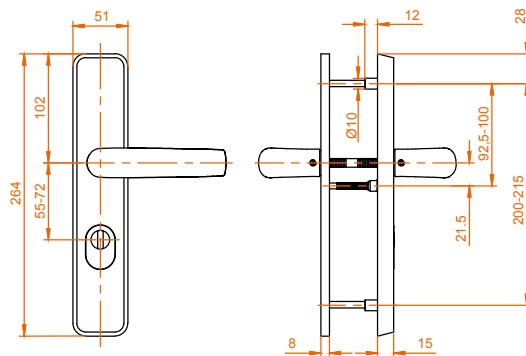
240 hours of salt spray test



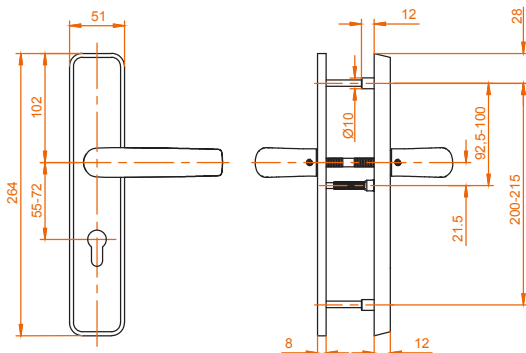
Dimensions adjustable hardware inner shield and handle



Dimensions adjustable hardware outer shield and handle



Dimensions adjustable hardware outside shield without core pulling protection



Dimensions adjustable hardware outside shield with insect/dirt protection

