

# Condor



The M&C CONDOR gets its name from the bird of prey with the largest wing area in the world. When this mighty bird takes your home or business premises under its wings, you have the best possible protection. Consequently, the M&C CONDOR security cylinder has 7.5 million different locks and is virtually unbreakable.

## The advantages of the M&C CONDOR

### Raised key profile

The robust key with the raised profile prevents illegal copying. The snake and snake holes offer extra security against lockpicking.

### High anti-copying protection

The raised key profile and the Security Card provide a high degree of anti-copying protection. Extra keys and cylinders will only be made if the M&C Security Card is shown.

### Anti-picking and anti-drilling

Advanced techniques such as the snake bar and side pins make the M&C CONDOR secure against lock-picking. The steel tubular bar and steel U-clip make it impossible to pull out the core or the cylinder.

### Ideal for master key systems

The M&C CONDOR is highly suitable for master key systems, from small to highly complex applications.

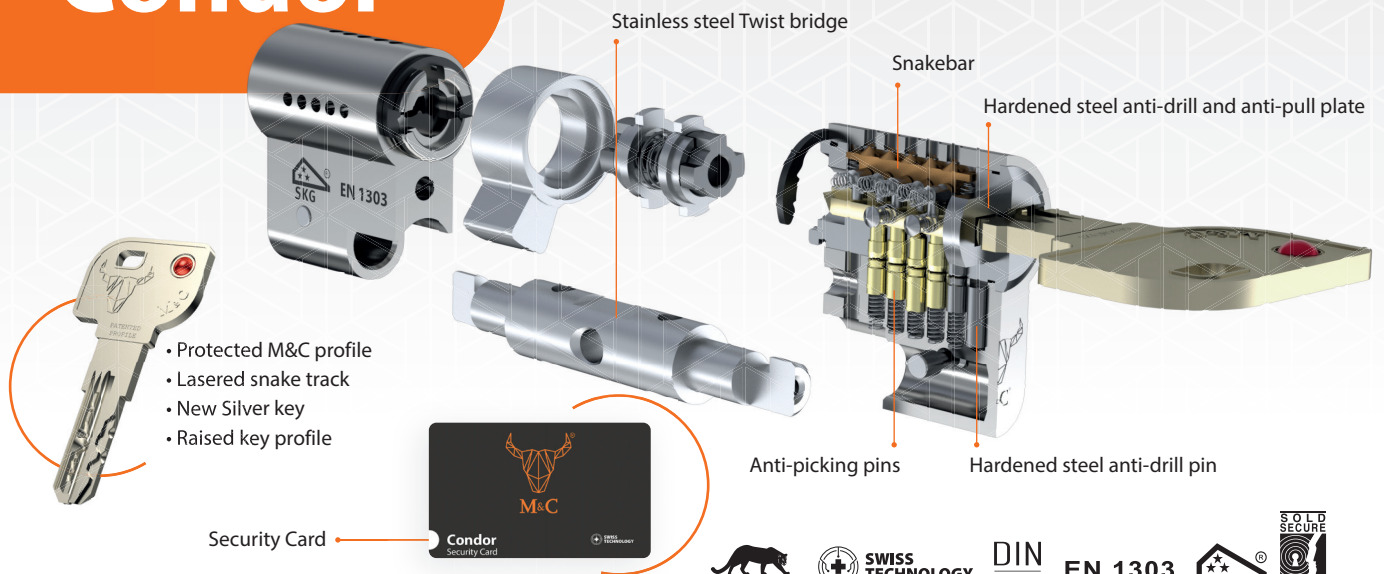


Masters of Security

[www.m-c.eu](http://www.m-c.eu)

*Family Company.*

# Condor



## Modular

The modular M&C parts can be used for the M&C CONDOR. The modular parts save time and the high costs of keeping them in stock. The advantage of this is that you always have the parts available and so you can immediately extend your customers' cylinders.

### Technical specifications of the cylinder

Emergency function/2-sided function	✓
Side pins	✓
Main pins	✓
Snake pins	✓
Anti-picking pins	✓
Anti-drilling	✓
Extremely strong stainless steel bridge	✓

### Technical key specifications

Key type	Reversible key
Lasered snake track	✓
Protected key profile	✓
Security Card (security certificate)	✓
Raised key profile	✓

### Key cutting machine

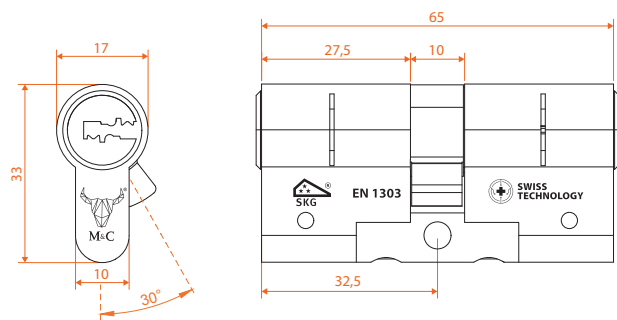
### Key clamps

M&C	CP-153S(A11) CONDOR
Silca	100 & 102
JMA	Clamps available contact your supplier
Keyline	Clamp C43 needed; contact your supplier

### Certification - tests

SKG	SKG*** certified
Sold Secure Diamond	✓
EN1303	1 6 0 B 0 A <sup>1)</sup> 6 D <sup>2)</sup>
DIN 18252	M S 6 D 0
Corrosion resistance	480 hours salt spray test
Fire test	Suitable for fire and smoke protection doors

## Dimensions



## Colors

Nickel



Brass



Black



## Extendibility & door thicknesses

Extendible to max 107-157 mm

Door thicknesses 40-240 mm

Suitable for all common doors and extendible in 5 mm increments

## M&C Condor is available as, and can be combined with

Cylinders	Euro-profile-cylinder, round cylinder (Swiss), rim cylinder, Fichet cylinder, mailbox lock cylinder
Cylinder knobs	round, oval, V-knob, pushknob
Smartlock connections	Nuki, Dana, Tedee, Linus
Master key systems	suitable for small and complex master key systems
Modular system	all modular parts, CONDOR MC-K0002 kit