

Matrix**



The M&C MATRIX SKG2** is the little brother of the M&C MATRIX SKG3*** and still very strong. The cylinder meets all SKG2** requirements and also has additional features. The hard steel bridge, the undercut, the double-sided operation and the security certificate make it safer than an ordinary SKG2** cylinder.

The advantages of the M&C MATRIX SKG2**

Emergency function is standard

Just like all other M&C cylinders, the M&C MATRIX SKG2** comes with an emergency function as standard: the door can be opened using a second key. This offers extra convenience. If someone accidentally leaves the key on the inside, you can still get into the house. This additional functionality is free of charge.

High copy protection

The M&C MATRIX SKG2** comes standard with a security certificate. Keys and cylinders can be reordered only with this M&C Security Card. In addition the key has a special notch (undercut), which makes illegal copying of the key extremely difficult.

Traditional cut key & steel bridge

The cut key enables you to cater for your traditional customers who prefer a more 'old fashioned' type of key, and to offer customers who have less to spend a very secure cylinder with extra security! The M&C MATRIX SKG2** also features a steel bridge, which prevents the cylinder from breaking.

Suitable for master key systems

The M&C MATRIX SKG2** is suitable for small master key systems. With a lot of different combinations, the M&C Matrix SKG2** has countless possibilities.



Masters of Security

www.m-c.eu

Family Company.

Matrix**



DIN 18252

EN 1303



Modular

The modular M&C parts can be used for the M&C MATRIX SKG2**. The modular parts save time and the high costs of keeping them in stock. The advantage of this is that you always have the parts available and so you can immediately extend your customers' cylinders.

Technical cylinder specifications

Emergency function/2-sided function	✓
Main pins	✓
Anti-picking pins	✓
Anti-drilling	✓
Hardened steel bridge	✓

Technical key specifications

Key type	Cut key
Protected key profile	✓
Security Card (security certificate)	✓
Undercut	✓

Key cutting machines

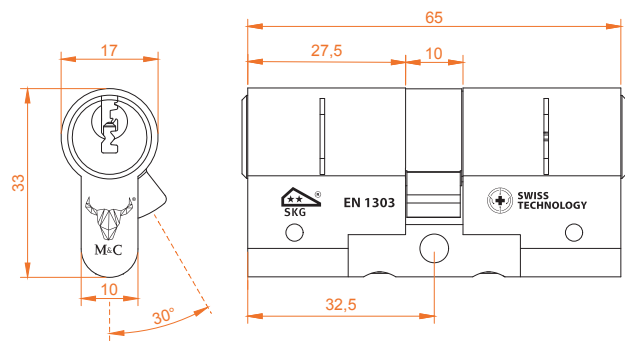
Key clamps

M&C	CP-191S (A16)
Silca, JMA, Keyline	Clamps available contact your supplier

Certification - tests

SKG certification	SKG** certified
EN1303	1 6 0 B 0 A ¹⁾ 4 A ¹⁾
DIN 18252	M G 4 A 0
Corrosion resistance	480 hours salt spray test
Fire test	Suitable for fire and smoke protection doors.

Dimensions



Colors

Nickel	●
Brass	●

Extendibility & door thicknesses

Extendible to max	157-102 mm
Door thickness	40-236 mm
Suitable for all common doors and extendible in 5 mm increments	

M&C MATRIX SKG2** is available as, and can be combined with

Cylinders	Euro-profile-cylinder, padlock
Cylinder knobs	Round, oval, V-knob, pushknob
Smartlock connections	Nuki, Dana, Tedee, Linus
Master key systems	Suitable for small master key systems
Modular system	All modular parts, MATRIX SKG2** MC-K0015 pinning kit