

Matrix***



The M&C MATRIX SKG3*** security cylinder offers security, convenience, and versatility. In addition, this cylinder is excellent for locking plans. The M&C MATRIX SKG3*** offers numerous possibilities.

The advantages of the M&C MATRIX SKG3***

Very high copy protection

The special trap-pin in the cylinder works together with the undercut in the key. Due to this advanced technology, only an original key from M&C fits into the cylinder. Moreover, keys and cylinders are only duplicated upon presentation of the M&C Security Card.

Traditional cut key

The cut key enables you to cater for your traditional customers who prefer a more 'old fashioned' type of key. In addition, the undercut in the key provides extra security.

Versatile; ideal for master key systems

The M&C MATRIX SKG3*** cylinder has special pins, making it highly versatile and extremely suitable for small to very complex master key systems. The millions of different locking options give the M&C Matrix SKG3*** virtually infinite possibilities.

Anti-picking and anti-drilling

Advanced techniques such as the snake bar and side pins make the M&C MATRIX SKG3*** secure against lock-picking. The steel bridge and steel U-clip make it impossible to pull out the core or the cylinder.



EMERGENCY FUNCTION



ANTI PICK



ANTI SNAP



ANTI BUMP



ANTI PULL



ANTI DRILL



MASTER KEY SYSTEM



Masters of Security

www.m-c.eu

Family Company.

Matrix***



Modular

The modular M&C parts can be used for the M&C MATRIX SKG3***. The modular parts save time and the high costs of keeping them in stock. The advantage of this is that you can immediately extend your customers' cylinders.

Technical cylinder specifications

Emergency function/2-sided function	✓
Main pins	✓
Snake pins	✓
Anti-picking pins	✓
Stepped pin	✓
Anti-drilling	✓
Hardened steel bridge	✓
Hardened steel anti-drill and anti-pull plate	✓

Technical key specifications

Key type	Cut key
Lasered Snake track	✓
Protected key profile	✓
Security Card (security certificate)	✓
Special undercut	✓

Key cutting machines

M&C

Silca, JMA, Keyline

Key cutting clamps

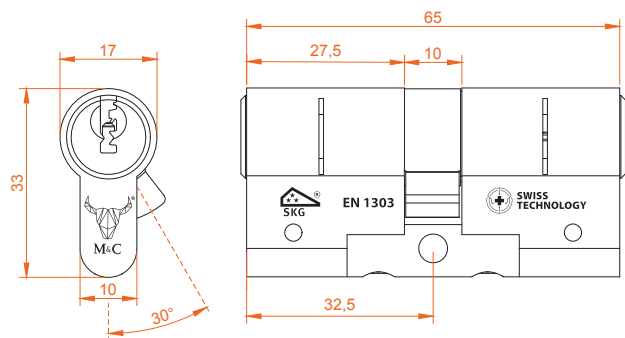
CP-191S (A16) en CP-192S (A17) for snake MATRIX SKG3***

Clamps available contact your supplier

Certification - tests

SKG certification	SKG*** certified
EN1303	1 6 0 B 0 A ¹⁾ 6 D ²⁾
DIN 18252	M S 6 D 0
Corrosion resistance	480 hours salt spray test
Fire test	Suitable for fire and smoke protection doors

Dimensions



Color

Nickel	●
Brass	●
Black	●

Extendibility & door thicknesses

Extendible to max	107-157mm
Door thicknesses	40-240mm

Suitable for all common doors and extendible in 5 mm increments

M&C MATRIX SKG3*** is available as, and can be combined with

Cylinders	Euro-profile-cylinders, Rim-cylinders
Cylinder knobs	Round, oval, V-knob, pushknob
Smartlock connections	Nuki, Dana, Tedee, Linus
Master key systems	Suitable for Master key systems
Modular system	All modular parts, MATRIX SKG3*** MC-K0012 pinning kit