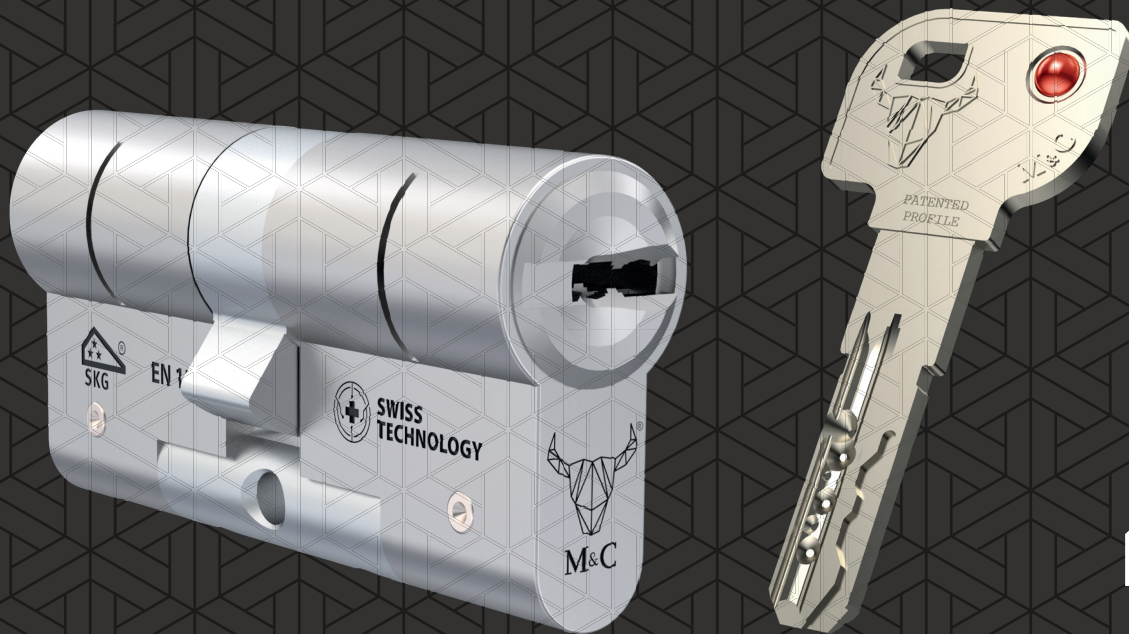


Minos



The M&C MINOS is named after the mythological king Minos of Crete, who had a labyrinth built so well secured that even the dangerous minotaur could not escape. The MINOS comes with durable metal keys and has a special core pulling protection. In addition, the cylinder has a stainless steel bridge and hardened steel anti-drill/core pulling plate for added security.

The advantages of the M&C MINOS

Indestructible stainless steel bridge

This latest cylinder has a special stainless steel bridge. Stainless steel is a very strong material and also has a ductile property that makes breaking the bridge virtually impossible.

Extra smooth for improved ease of use

The rounded shapes where the key enters this cylinder help to guide the key even better.

Prevents drilling and core pulling

The hardened steel anti-drill plate (U clip) provides additional security against core pulling.

High degree of protection against unauthorized copying

The advanced technique, placing the main pins at a 14-degree angle, ensures unique key drill holes and makes the key very difficult to copy. Extra keys and cylinders will only be made if the M&C Security Card is shown.

Emergency function is standard
Like all other M&C cylinders, the MINOS is standard two-way operable. If someone accidentally leaves the key inside, you can still enter the house. At M&C, this feature is included as standard at no extra charge.

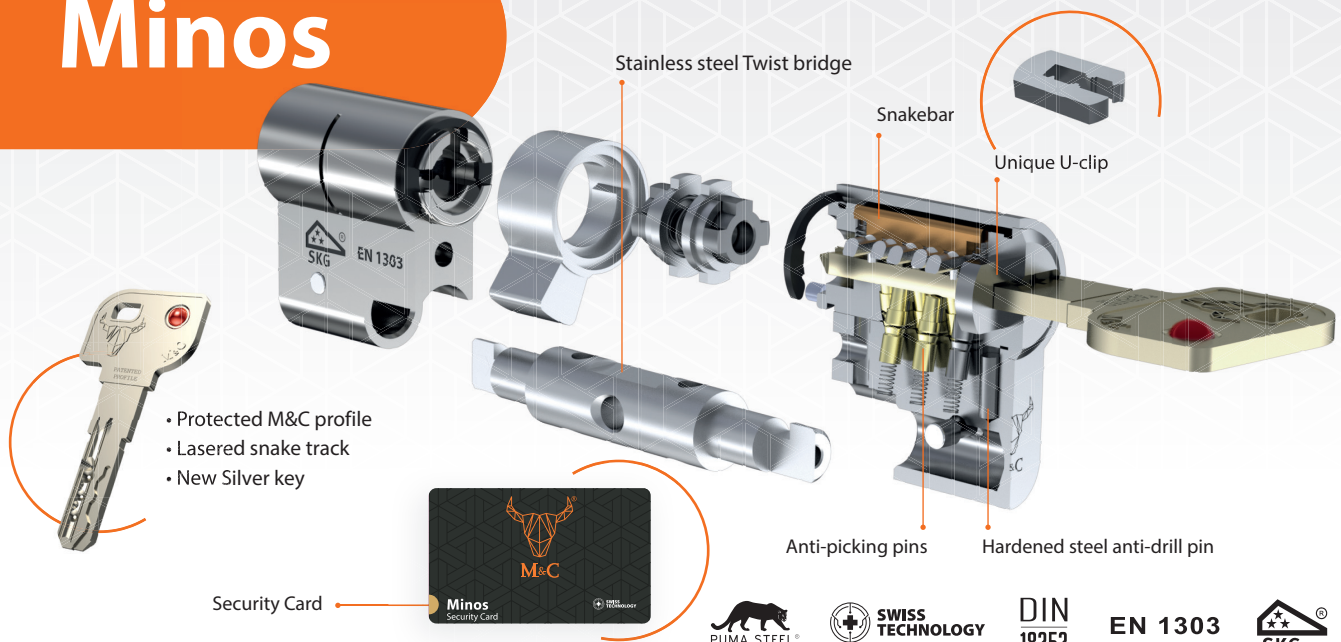


Masters of Security

www.m-c.eu

Family Company.

Minos



Modular

The modular M&C parts can be used for the M&C MINOS. The modular parts save time and the high costs of keeping them in stock. The advantage of this is that you always have the parts available and so you can immediately extend your customers' cylinders.

Technical cylinder specifications

Emergency function/2-sided function	✓
Main pins	✓
Snake pins	✓
Anti-picking pins	✓
Anti-drilling	✓
Extremely strong stainless steel bridge	✓
Unique U-clip	✓

Technical key specifications

Key type	Reversible key
Lasered snake track	✓
Protected sleutelprofiel	✓
Security Card (security certificate)	✓

Key cutting machines

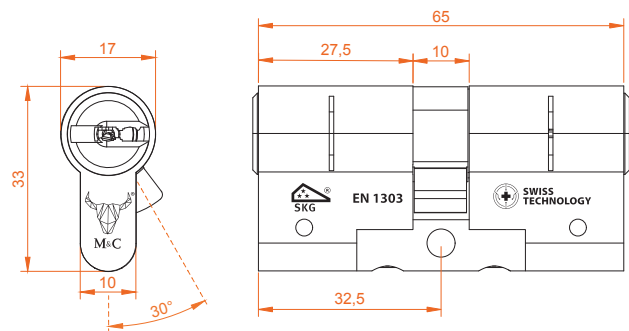
Key clamps

M&C	CP-155S(A14) MINOS
Silca, JMA, Keyline	Clamps at 14° available; contact your supplier

Certification - tests

SKG certification	SKG*** certified
EN1303	1 6 0 B 0 A ¹⁾ 6 D ¹⁾
DIN 18252	M G 6 D 0
Corrosion resistance	480 hours salt spray test
Fire test	Suitable for fire and smoke protection doors

Dimensions



Colors

Nickel	●
Black	●
Brass	●

Extendibility & door thicknesses

Extendible to max	157-102 mm
Door thicknesses	40-236 mm
Suitable for all common doors and extendible in 5 mm increments	

M&C Minos is available as, and can be combined with

Cylinders	Euro-profile-cylinders, Rim-cylinders
Cylinder knobs	Round, oval, V-knob, pushknob
Smartlock connections	Nuki, Dana, Tedee, Linus
Master key systems	Not suitable for master key systems
Modular system	all modular parts, MINOS MC-K0014 kit