

Move



The M&C MOVE integrates the latest new technologies, making it one of the safest cylinders ever. The MOVE combines all the standard security features with a patented movable part in the key.

This innovation gives the keys of the M&C MOVE the best anti-copying protection possible; the movable parts are even protected against copying by 3D printing.

The advantages of the M&C MOVE

Indestructible stainless steel bridge

The M&C MOVE features a stainless steel bridge which combines extreme strength with flexibility, making it almost impossible to break.

Prevents drilling and lock-drilling

The steel anti-drilling plate (Trap Shark U-clip) with its stepped shape and unique shark teeth provides additional security against drilling.

Highest degree of protection against tampering and copying

The movable part in the key, the side pins and the security card give the M&C Move the highest degree of anti-copying protection. Extra keys and cylinders will only be made if the M&C security card is shown.

Improved ease of use

The rounded shapes where the key enters this cylinder help to guide the key even better.

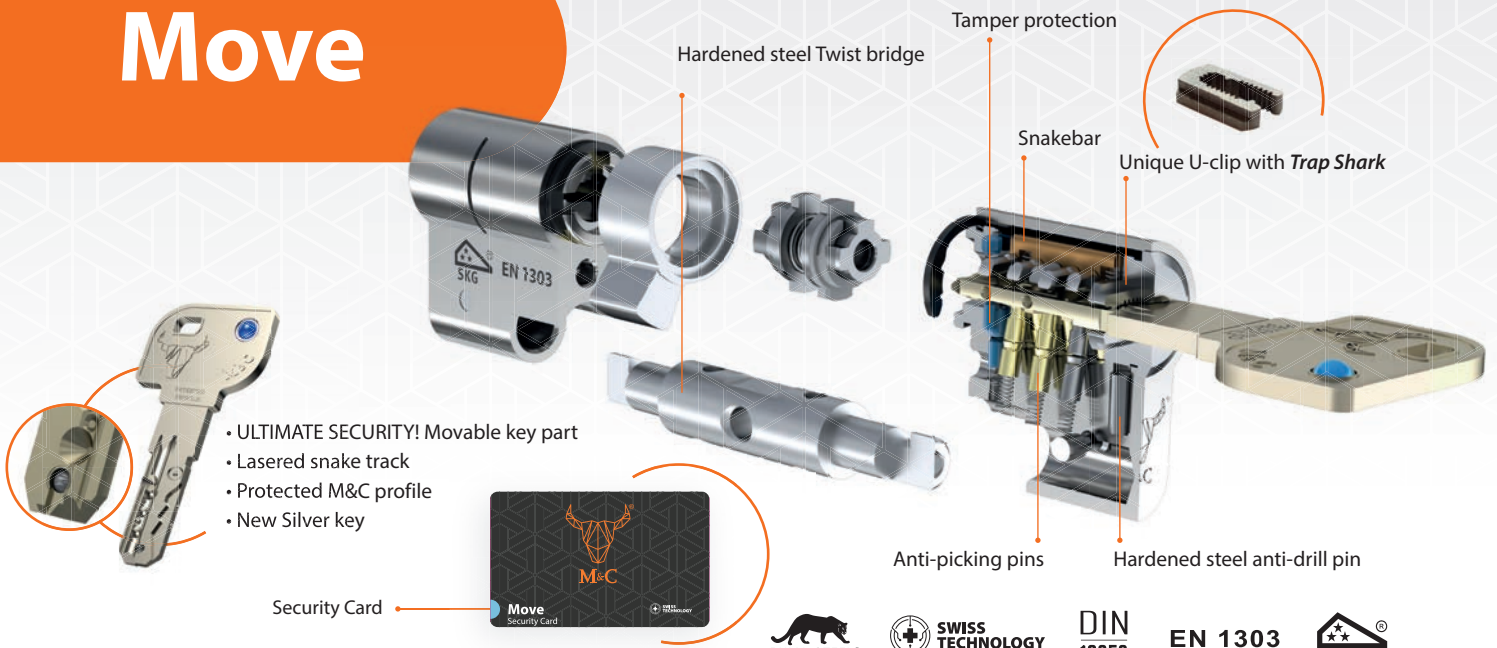


Masters of Security

www.m-c.eu

Family Company.

Move



DIN 18252

EN 1303



Modular

The modular M&C parts can be used for the M&C MOVE. The modular parts save time and the high costs of keeping them in stock. The advantage of this is that you always have the parts available and so you can immediately extend your customers' cylinders.

Technical cylinder specifications

Emergency function/2-sided function	✓
Side pins	✓
Main pins	✓
Snake pins	✓
Anti-picking pins	✓
Anti-drilling	✓
Extremely strong steel bridge	✓
Unique U-clip with <i>Trap Shark</i>	✓
Tamper protection (in combination with a movable key part)	✓

Technical key specifications

Key type	Reversible key
Lasered snake track	✓
Protected key profile	✓
Security Card (security certificate)	✓
Movable key part	✓

Key cutting machines

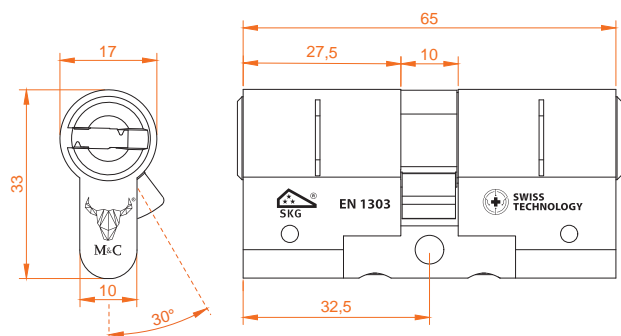
Key clamps

M&C	CP-155S(A14/A15) MOVE
Silca, JMA, Keyline	clamps available contact your supplier

Certification - tests

SKG certification	SKG*** certified
EN1303	1 6 0 B 0 A ¹¹ 6 D ¹¹
DIN 18252	M 5 6 D 0
Corrosion resistance	480 hours salt spray test
Fire test	Suitable for fire and smoke protection doors

Dimensions



Colors

Nickel



Brass



Extendibility & door thicknesses

Extendible to max	102-157 mm
Door thicknesses	40-230 mm

Suitable for all common doors and extendible in 5 mm increments.

M&C Move is available as, and can be combined with

Cylinders	Euro-profile cylinders, Rim-cylinders
Cylinder knobs	round, oval, V-knob, pushknob
Smartlock connections	Nuki, Dana, Tedee, Linus
Master key systems	Not suitable for master key systems
Modular system	All modular parts, MOVE MC-K0014 kit