

# Matrix\*\*



The M&C MATRIX SKG2\*\* is the little brother of the M&C MATRIX SKG3\*\*\* and still very strong. The cylinder meets all SKG2\*\* requirements and also has additional features. The hardened steel bridge, undercut, double-sided operation and security certificate make it safer than an ordinary SKG2\*\* cylinder.

## The advantages of the M&C MATRIX SKG2\*\*

### Standard emergency function

Just like all other M&C cylinders, the M&C MATRIX SKG2\*\* comes with an emergency function as standard: the door can be opened using a second key. This offers extra convenience. If someone accidentally leaves the key on the inside, you can still get into the house. This additional functionality is free of charge.

### High copy protection

The M&C MATRIX SKG2\*\* comes standard with a security certificate. Keys and cylinders can be reordered only with this M&C Security Card. In addition the key has a special notch (undercut), which makes illegal copying of the key extremely hard.

### Traditional cut key & steel bridge

The cut key enables you to cater for your traditional customers who prefer a more 'old fashioned' type of key, and to offer customers who have less to spend a very secure cylinder with extra security! The M&C MATRIX SKG2\*\* also features a steel bridge, which prevents the cylinder from breaking.

### Suitable for master key systems

The M&C MATRIX SKG2\*\* is suitable for small master key systems.



Masters of Security

[www.m-c.eu](http://www.m-c.eu)

Family Company.

# Matrix\*\*



DIN 18252

EN 1303



## Modular

The modular M&C parts can be used for the M&C MATRIX\*\*. The modular parts save time and the high costs of keeping them in stock. The advantage of this is that you can immediately modify the cylinder to your customer's needs.

### Technical cylinder specifications

Emergency function/2-sided function	✓
Main pins	✓
Anti-picking pins	✓
Anti-drilling	✓
Hardened steel bridge	✓

### Technical key specifications

Key type	Cut key
Protected key profile	✓
Security Card (security certificate)	✓
Undercut	✓

### Key cutting machines

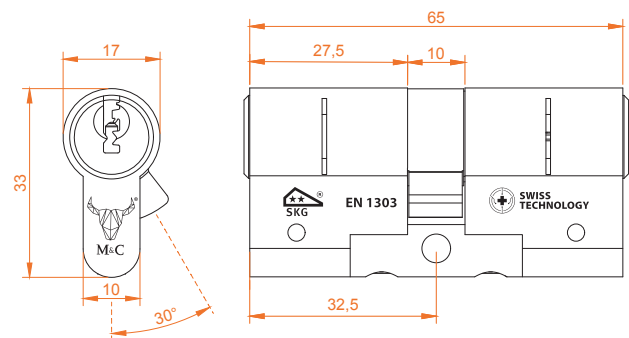
### Key clamps

M&C	CP-191S (A16)
Silca, JMA, Keyline	Clamps available contact your supplier

### Certification - tests

SKG certification	SKG** certified
EN1303	1 6 0 B 0 A <sup>1)</sup> 4 A <sup>1)</sup>
DIN 18252	M G 4 A 0
Corrosion resistance	480 hours salt spray test
Fire test	Suitable for fire and smoke protection doors.

## Dimensions



## Colors

Nickel



Brass



## Extendability & door thicknesses

Extendable to max 57-107 mm

Door thickness 40-164 mm

Suitable for all common doors and extendable in 5 mm increments

## M&C MATRIX SKG2\*\* is available as, and can be combined with

Cylinders	Euro-profile-cylinder, padlock
Cylinder knobs	Round, oval, V-knob, pushknob
Smartlock connections	Nuki, Dana, Tedee, Linus
Master key systems	Suitable for small master key systems
Modular system	All modular parts, MATRIX SKG2** MC-K0015 pinning kit